



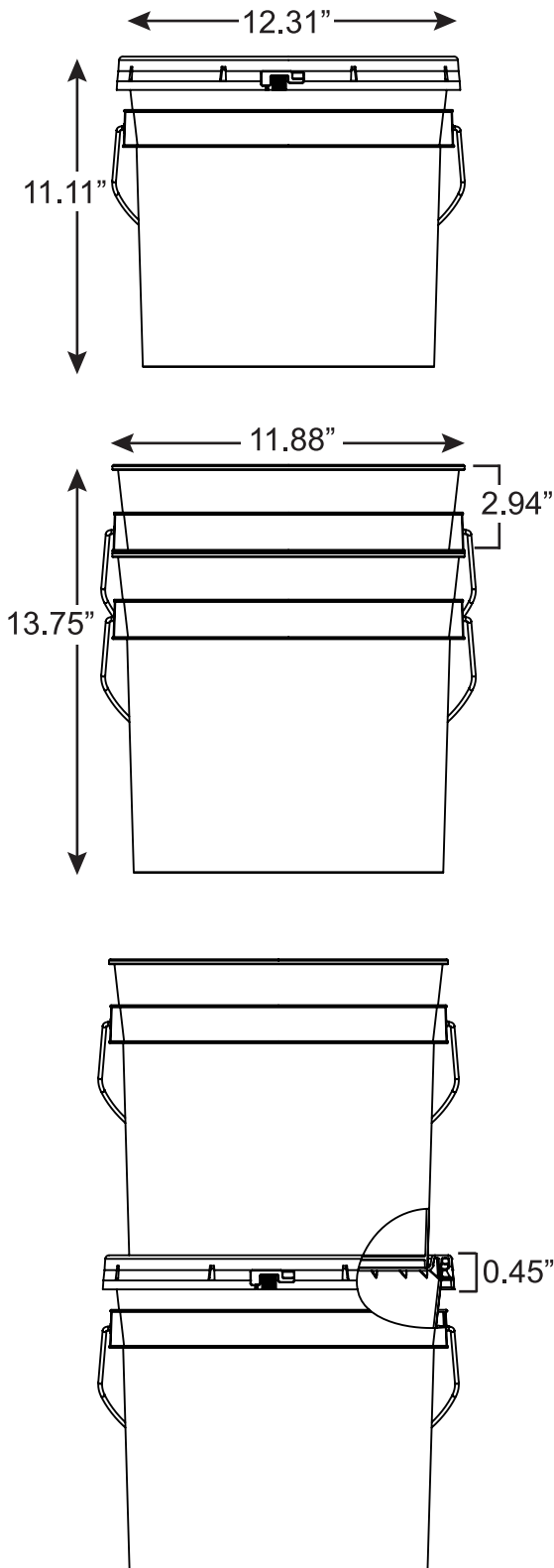
AFFORDABLE BUCKETS, L.L.C.

Where Quality Is All That Matters

35(COLOR) Wire Handle 3.5 Gallon Round

TEL: 319-647-8383
FAX: 319-647-7170
PO Box 282, Victor, IA 52347
www.affordablebuckets.com

3.5 Gallon 70 mil Bucket
Smooth Surface Finish



Components

- Material: Food Grade High Density Polyethylene
- Standard color: White (See Color List On Page 2)
- Wire bale handle with plastic hand grip
- Pour spouts available
- Gasket: EPDM (Ethylene Propylene Diene Monomer)

Wall Thickness	inch	cm
Bucket	.073	.185
Gasket Lid	.080	.203

Standard Weight (+/- 2%)	lb.	g
Bucket (with handle)	1.50	680
Gasket Lid (345)	0.8	363

Thermal Resistance (tested with water)

Filling from -31°F (-35°C) to 170°F (77°C)

Warehousing from -30°F (-34°C) to 92°F (33°C)

Capacities

Volume	gallons	liters
Nominal	3.5	13.25
Maximum to Overflow	4.02	15.93
Maximum with Gasket Lid	3.92	15.41

Product Density(g/cm ³)	Max Weight Filled with Lid	
	lb.	kg
0.5	16.99	7.71
0.6	20.38	9.25
0.7	23.78	10.79
0.8	27.18	12.33
0.9	30.58	13.87
1.0	33.97	15.41
1.1	37.37	16.95
1.2	40.77	18.49

Specifications given are guidelines only. Manufacturer does not guarantee exact measurements of specifications. Customer should verify specific product to be packaged.



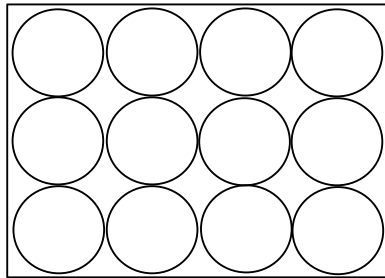
AFFORDABLE BUCKETS, L.L.C.

Where Quality Is All That Matters

35(COLOR) Wire Handle 3.5 Gallon Round

TEL: 319-647-8383
FAX: 319-647-7170
PO Box 282, Victor, IA 52347
www.affordablebuckets.com

Pallet Utilization

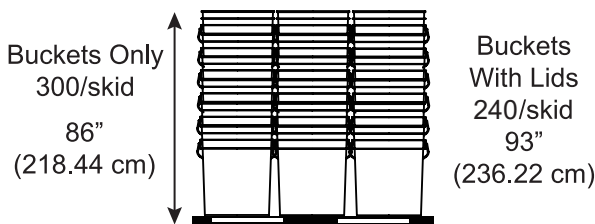


48" x 40" (122 cm x 102 cm)

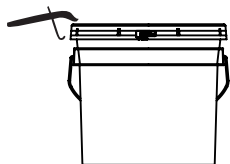
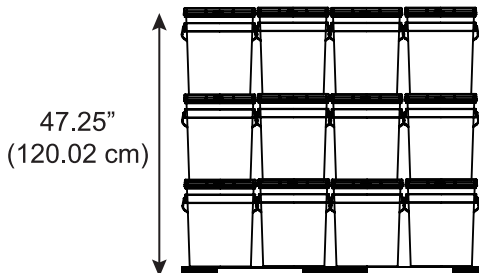
IMPORTANT

Never let buckets overlap edge of pallet.

Recommended Stacking Height



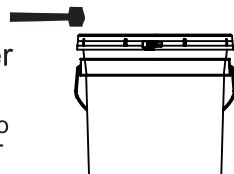
Filled Buckets



Open With
Lid Lifter

Close With
Dead Blow Hammer

Depress lid center to
force out excess air

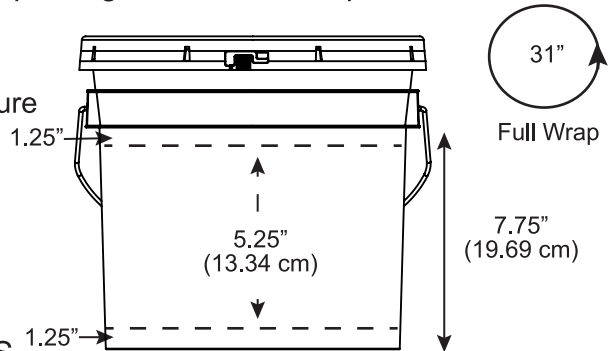


Or Use a Closing Tool

Printing

Heat transfer printing. Full or half wrap.

- Digital
- Flexo
- Rotogravure



APPROVALS

Affordable Buckets, L.L.C. disclaims any liability for the user of the information and data contained herein. We reserve the right to alter or modify any product and/or specification, at any time.

Shipping Data

Buckets With Lids

Quantity	Dimensions*	# Skids	Weight (Lbs)
240	48 x 40 x 93	1	550
480	48 x 40 x 93	2	1100
720	48 x 40 x 93	3	1650
960	48 x 40 x 93	4	2200
1200	48 x 40 x 93	5	2750
1440	48 x 40 x 93	6	3300

*includes wooden pallet

Buckets Only

Quantity	Dimensions*	# Skids	Weight (Lbs)
300	48 x 40 x 86	1	510
600	48 x 40 x 86	2	1004
900	48 x 40 x 86	3	1530
1200	48 x 40 x 86	4	2040
1500	48 x 40 x 86	5	2550
1800	48 x 40 x 86	6	3060

*includes wooden pallet

Specifications given are guidelines only. Manufacturer does not guarantee exact measurements of specifications. Customer should verify specific product to be packaged.

Available Colors 35(COLOR)

Black (BLK)	Green (GRN)	Purple (PPL)
Blem (BLEM)	Lime Green (LIGRN)	Red (RED)
Chevron Blue (CHBLU)	Natural (NAT)	White (WHT)
Gray (GRY)	Orange (ORG)	Yellow (YEL)