



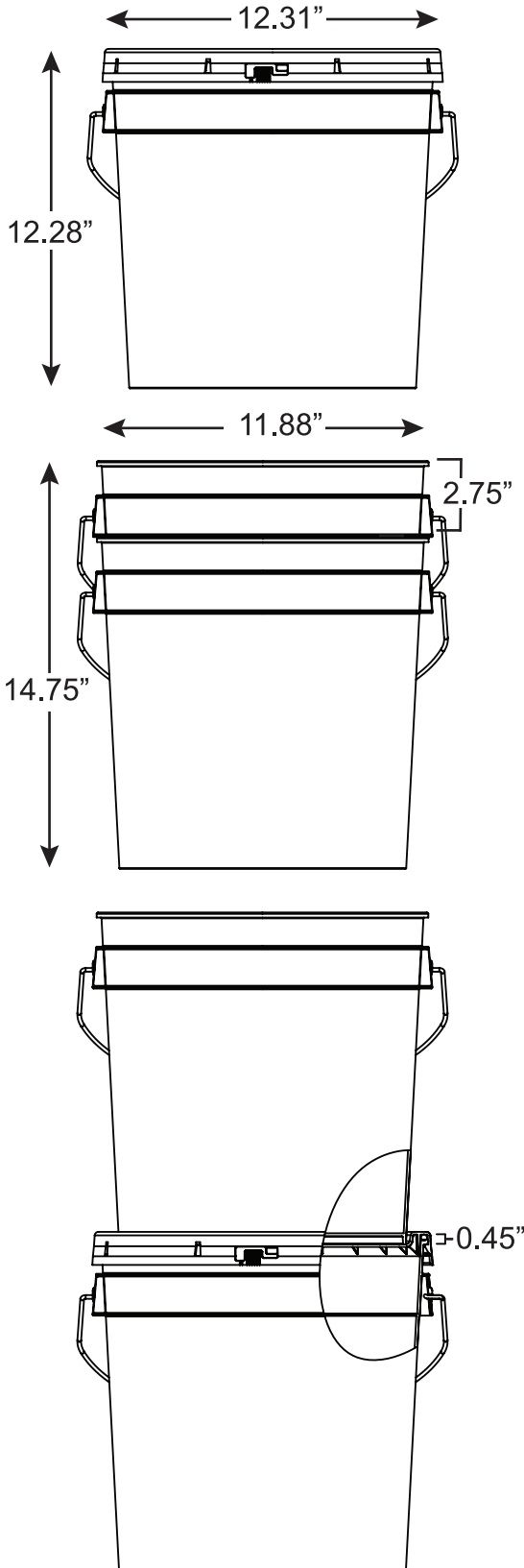
AFFORDABLE BUCKETS, L.L.C.

Where Quality Is All That Matters

425(COLOR) Wire Handle 4.25 Gallon Round

TEL: 319-647-8383
FAX: 319-647-7170
PO Box 282, Victor, IA 52347
www.affordablebuckets.com

4.25 Gallon 90 Mil Bucket
Smooth Surface Finish



Components

- Material: HDPE High Density Polyethylene
- Standard color: White (See Color List On Page 2)
- Metal handle with plastic hand grip
- Pour spouts available
- Gasket: EPDM (Ethylene Propylene Diene Monomer)

| Wall Thickness | inch | cm |
|----------------|------|------|
| Bucket | .091 | .231 |
| Gasket Lid | .080 | .203 |

| Standard Weight (+/- 2%) | lb. | g |
|--------------------------|------|-----|
| Bucket (with handle) | 2.06 | 938 |
| Gasket Lid (345) | 0.8 | 363 |

Thermal Resistance (tested with water)

Filling from -36°F (-38°C) to 180°F (82°C)

Warehousing from -40°F (-40°C) to 102°F (39°C)

Capacities

| Volume | gallons | liters |
|-------------------------|---------|--------|
| Nominal | 4.25 | 16.09 |
| Maximum to Overflow | 4.63 | 17.82 |
| Maximum with Gasket Lid | 4.52 | 17.07 |

| Product Density(g/cm ³) | Max Weight Filled with Lid | |
|-------------------------------------|----------------------------|-------|
| | lb. | kg |
| 0.5 | 18.82 | 8.54 |
| 0.6 | 22.58 | 10.24 |
| 0.7 | 26.34 | 11.95 |
| 0.8 | 30.11 | 13.66 |
| 0.9 | 33.87 | 15.36 |
| 1.0 | 37.63 | 17.07 |
| 1.1 | 41.40 | 18.78 |
| 1.2 | 45.16 | 20.48 |

Specifications given are guidelines only. Manufacturer does not guarantee exact measurements of specifications. Customer should verify specific product to be packaged.



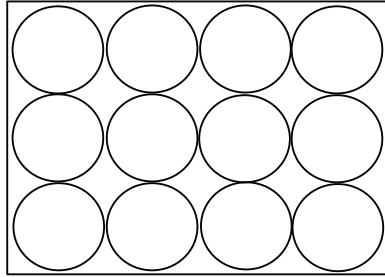
AFFORDABLE BUCKETS, L.L.C.

Where Quality Is All That Matters

425(COLOR) Wire Handle 4.25 Gallon Bucket

TEL: 319-647-8383
FAX: 319-647-7170
PO Box 282, Victor, IA 52347
www.affordablebuckets.com

Pallet Utilization

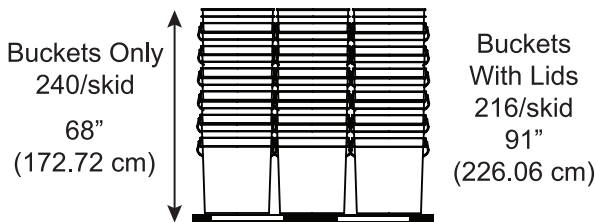


48" x 40" (122 cm x 102 cm)

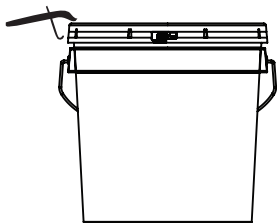
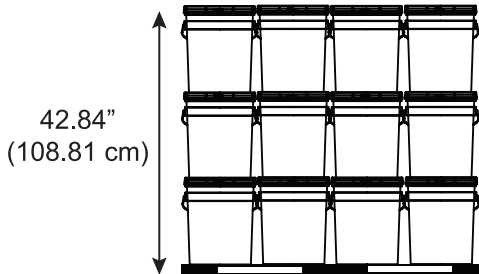
IMPORTANT

Never let buckets overlap edge of pallet.

Recommended Stacking Height



Filled Buckets

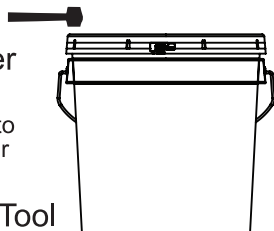


Open With
Lid Lifter

Close With
Dead Blow Hammer

Depress lid center to
force out excess air

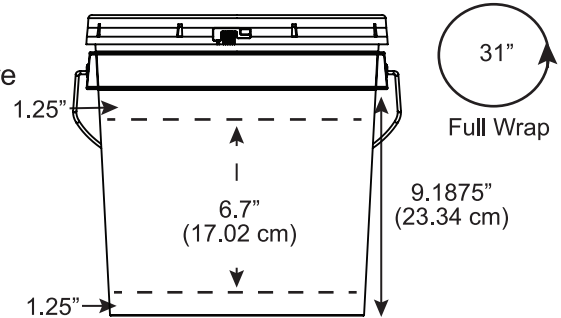
Or Use a Closing Tool



Printing

Heat transfer printing. Full or half wrap.

- Digital
- Flexo
- Rotogravure



APPROVALS

Affordable Buckets, L.L.C. disclaims any liability for the user of the information and data contained herein. We reserve the right to alter or modify any product and/or specification, at any time.

Shipping Data

Buckets With Lids

| Quantity | Dimensions* | # Skids | Weight (Lbs) |
|----------|--------------|---------|--------------|
| 216 | 40 x 48 x 91 | 1 | 690 |
| 432 | 40 x 48 x 91 | 2 | 1248 |
| 648 | 40 x 48 x 91 | 3 | 1872 |
| 864 | 40 x 48 x 91 | 4 | 2495 |
| 1080 | 40 x 48 x 91 | 5 | 3120 |
| 1296 | 40 x 48 x 91 | 6 | 3743 |

*includes wooden pallet

Buckets Only

| Quantity | Dimensions* | # Skids | Weight (Lbs) |
|----------|--------------|---------|--------------|
| 240 | 40 x 48 x 68 | 1 | 495 |
| 480 | 40 x 48 x 68 | 2 | 902 |
| 720 | 40 x 48 x 68 | 3 | 1353 |
| 960 | 40 x 48 x 68 | 4 | 1804 |
| 1200 | 40 x 48 x 68 | 5 | 2255 |
| 1440 | 40 x 48 x 68 | 6 | 2706 |

*includes wooden pallet

Specifications given are guidelines only. Manufacturer does not guarantee exact measurements of specifications. Customer should verify specific product to be packaged.

Available Colors 425(COLOR)

Black (BLK) Natural (NAT)
Blem (BLEM) White (WHT)