



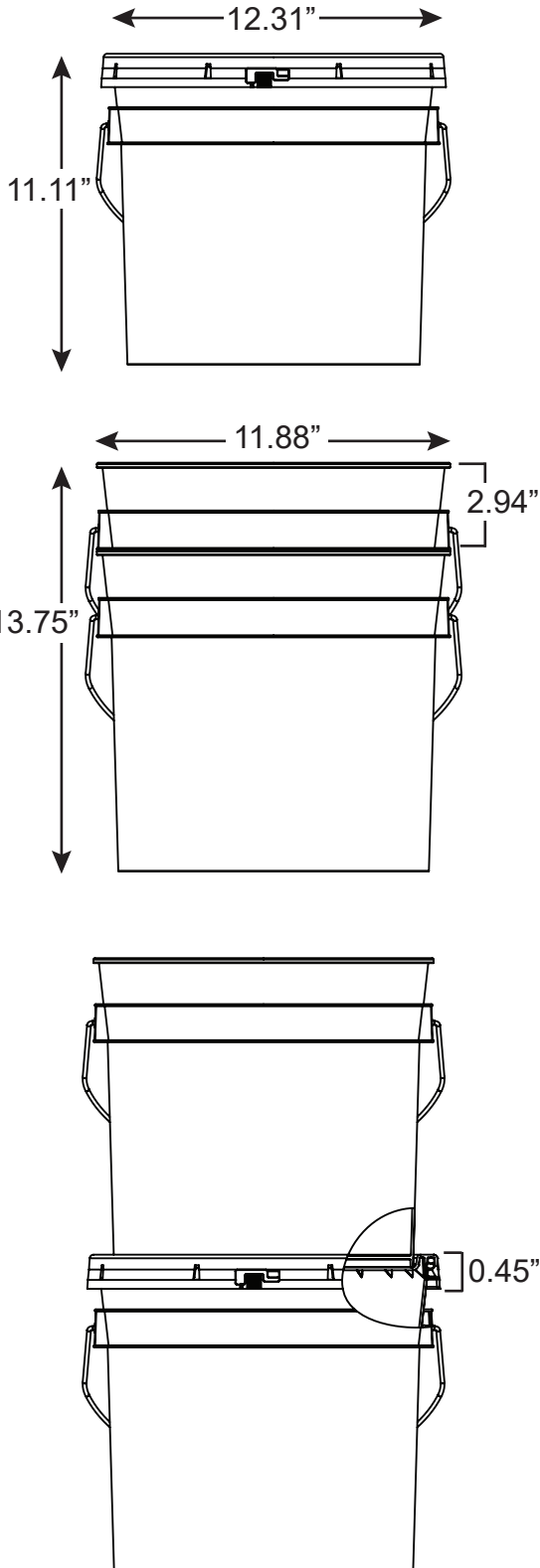
**AFFORDABLE BUCKETS, L.L.C.**

Where Quality Is All That Matters

# 35(COLOR) Wire Handle 3.5 Gallon Round

TEL: 319-647-8383  
FAX: 319-647-7170  
PO Box 282, Victor, IA 52347  
www.affordablebuckets.com

3.5 Gallon 70 mil Bucket  
Smooth Surface Finish



## Components

- Material: Food Grade High Density Polyethylene
- Standard color: White (See Color List On Page 2)
- Wire bale handle with plastic hand grip
- Pour spouts available
- Gasket: EPDM (Ethylene Propylene Diene Monomer)

Wall Thickness	inch	cm
Bucket	.073	.185
Gasket Lid	.080	.203

Standard Weight (+/- 2%)	lb.	g
Bucket (with handle)	1.50	680
Gasket Lid (345)	0.8	363

## Thermal Resistance (tested with water)

Filling from -31°F (-35°C) to 170°F (77°C)

Warehousing from -30°F (-34°C) to 92°F (33°C)

## Capacities

Volume	gallons	liters
Nominal	3.5	13.25
Maximum to Overflow	4.02	15.93
Maximum with Gasket Lid	3.92	15.41

Product Density(g/cm <sup>3</sup> )	Max Weight Filled with Lid	
	lb.	kg
0.5	16.99	7.71
0.6	20.38	9.25
0.7	23.78	10.79
0.8	27.18	12.33
0.9	30.58	13.87
1.0	33.97	15.41
1.1	37.37	16.95
1.2	40.77	18.49

Specifications given are guidelines only. Manufacturer does not guarantee exact measurements of specifications. Customer should verify specific product to be packaged.



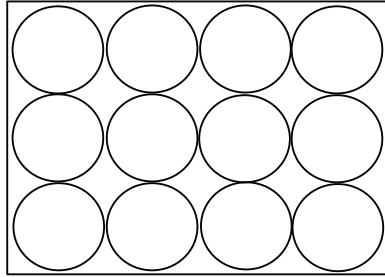
**AFFORDABLE BUCKETS, L.L.C.**

Where Quality Is All That Matters

# 35(COLOR) Wire Handle 3.5 Gallon Round

TEL: 319-647-8383  
FAX: 319-647-7170  
PO Box 282, Victor, IA 52347  
www.affordablebuckets.com

## Pallet Utilization

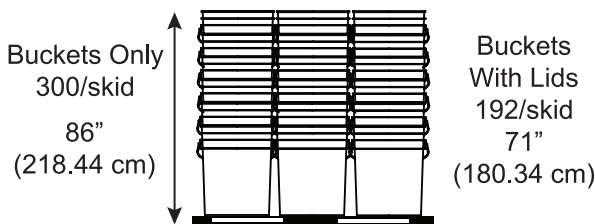


48" x 40" (122 cm x 102 cm)

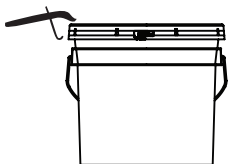
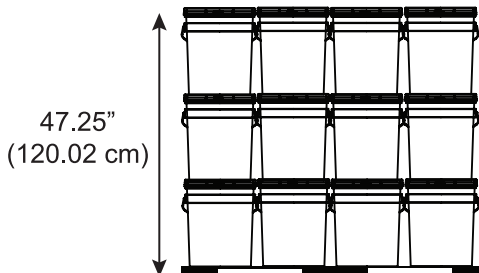
### IMPORTANT

Never let buckets overlap edge of pallet.

## Recommended Stacking Height



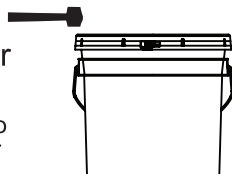
## Filled Buckets



Open With  
Lid Lifter

Close With  
Dead Blow Hammer

Depress lid center to  
force out excess air

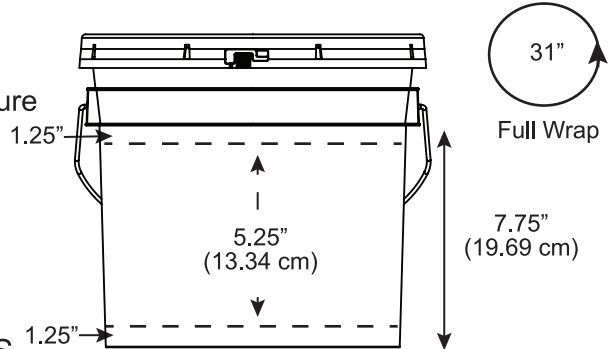


Or Use a Closing Tool

## Printing

Heat transfer printing. Full or half wrap.

- Digital
- Flexo
- Rotogravure



## APPROVALS

Affordable Buckets, L.L.C. disclaims any liability for the user of the information and data contained herein. We reserve the right to alter or modify any product and/or specification, at any time.

## Shipping Data

### Buckets With Lids

Quantity	Dimensions*	# Skids	Weight (Lbs)
192	40 x 48 x 71	1	502
384	40 x 48 x 71	2	1004
576	40 x 48 x 71	3	1530
768	40 x 48 x 71	4	2007
960	40 x 48 x 71	5	2508
1152	40 x 48 x 71	6	3010

\*includes wooden pallet

### Buckets Only

Quantity	Dimensions*	# Skids	Weight (Lbs)
300	40 x 48 x 86	1	510
600	40 x 48 x 86	2	1004
900	40 x 48 x 86	3	1530
1200	40 x 48 x 86	4	2040
1500	40 x 48 x 86	5	2550
1800	40 x 48 x 86	6	3060

\*includes wooden pallet

Specifications given are guidelines only. Manufacturer does not guarantee exact measurements of specifications. Customer should verify specific product to be packaged.

## Available Colors 35(COLOR)

Black (BLK)	Green (GRN)	Purple (PPL)
Blem (BLEM)	Lime Green (LIGRN)	Red (RED)
Chevron Blue (CHBLU)	Natural (NAT)	White (WHT)
Gray (GRY)	Orange (ORG)	Yellow (YEL)